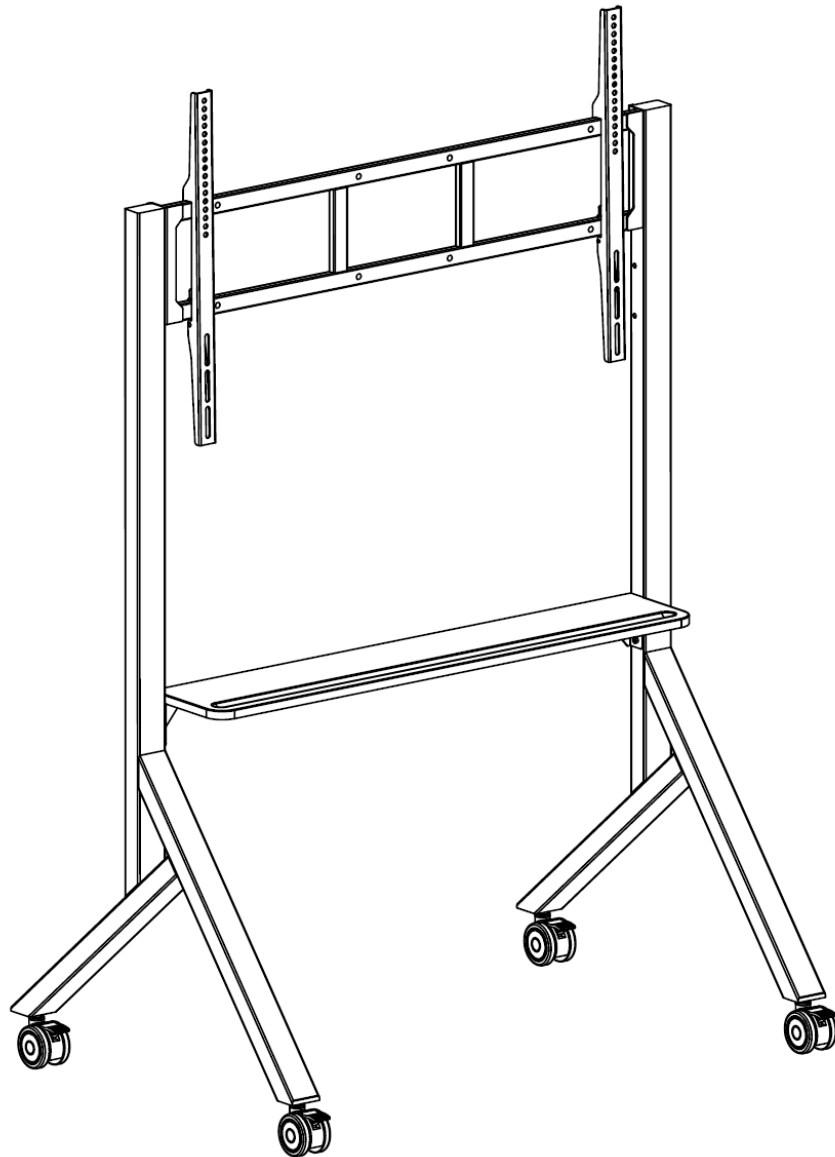
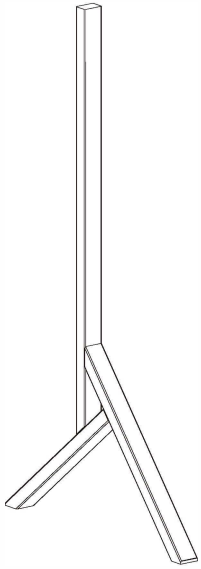


TTY22 ASSEMBLY INSTRUCTIONS

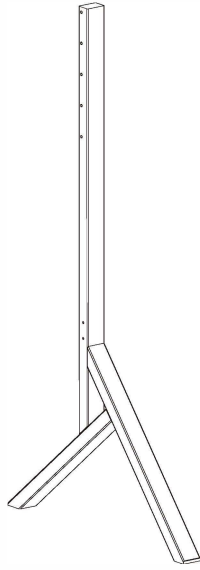


- Please follow these instructions carefully during assembly.
- Fits 55 to 86 inch interactive boards
- Capacity: 100 kg/220 lb

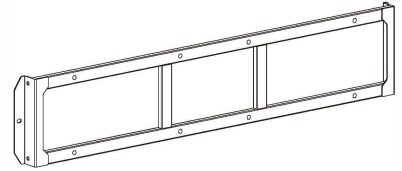
● Contents



A- Left column 1pc



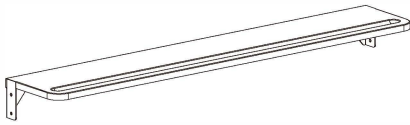
B- Right column 1pc



D- Connection frame 1pc



E- VESA bars 2pcs

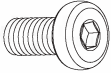
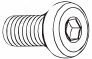
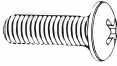
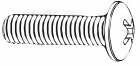
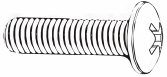
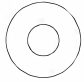
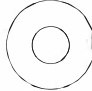



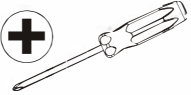


C- tray 1pc

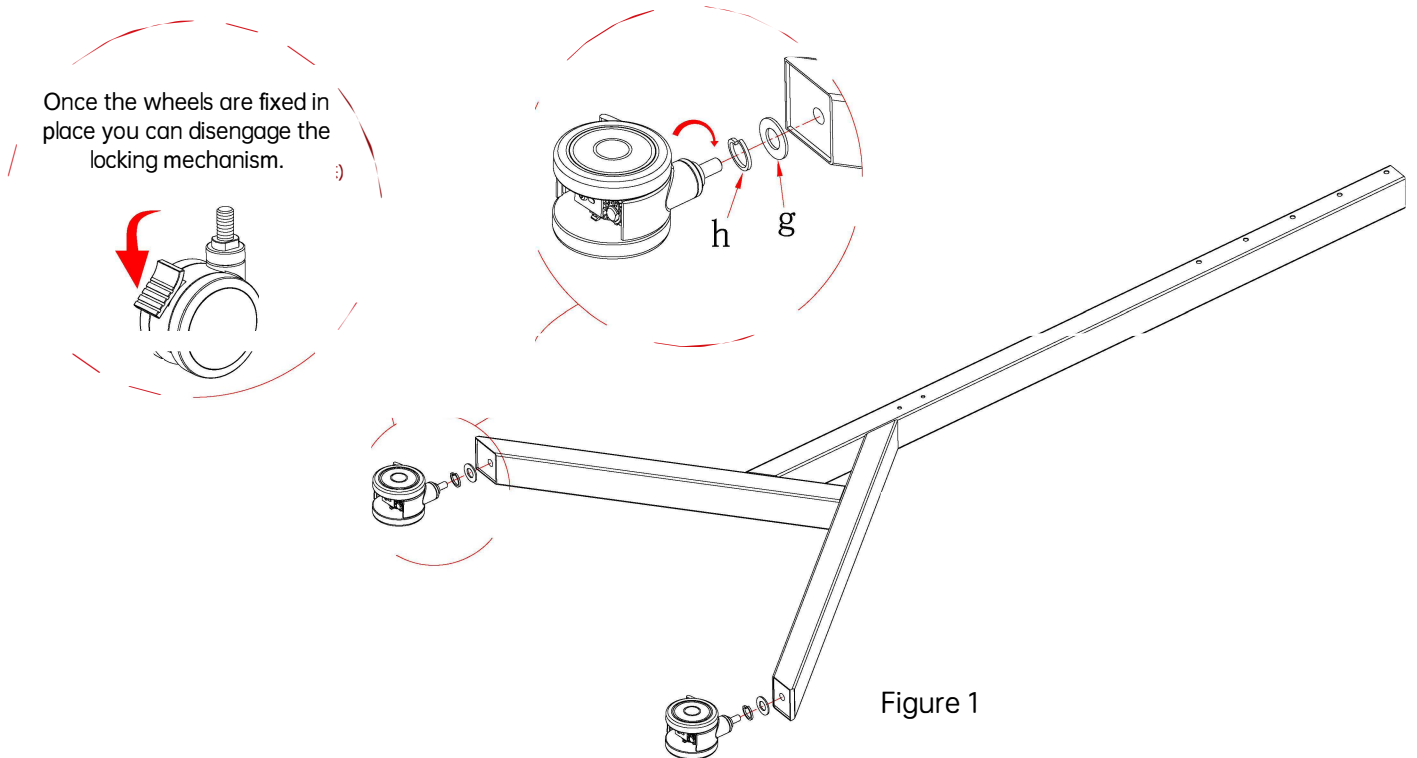


F- 3 inch wheel 4pcs

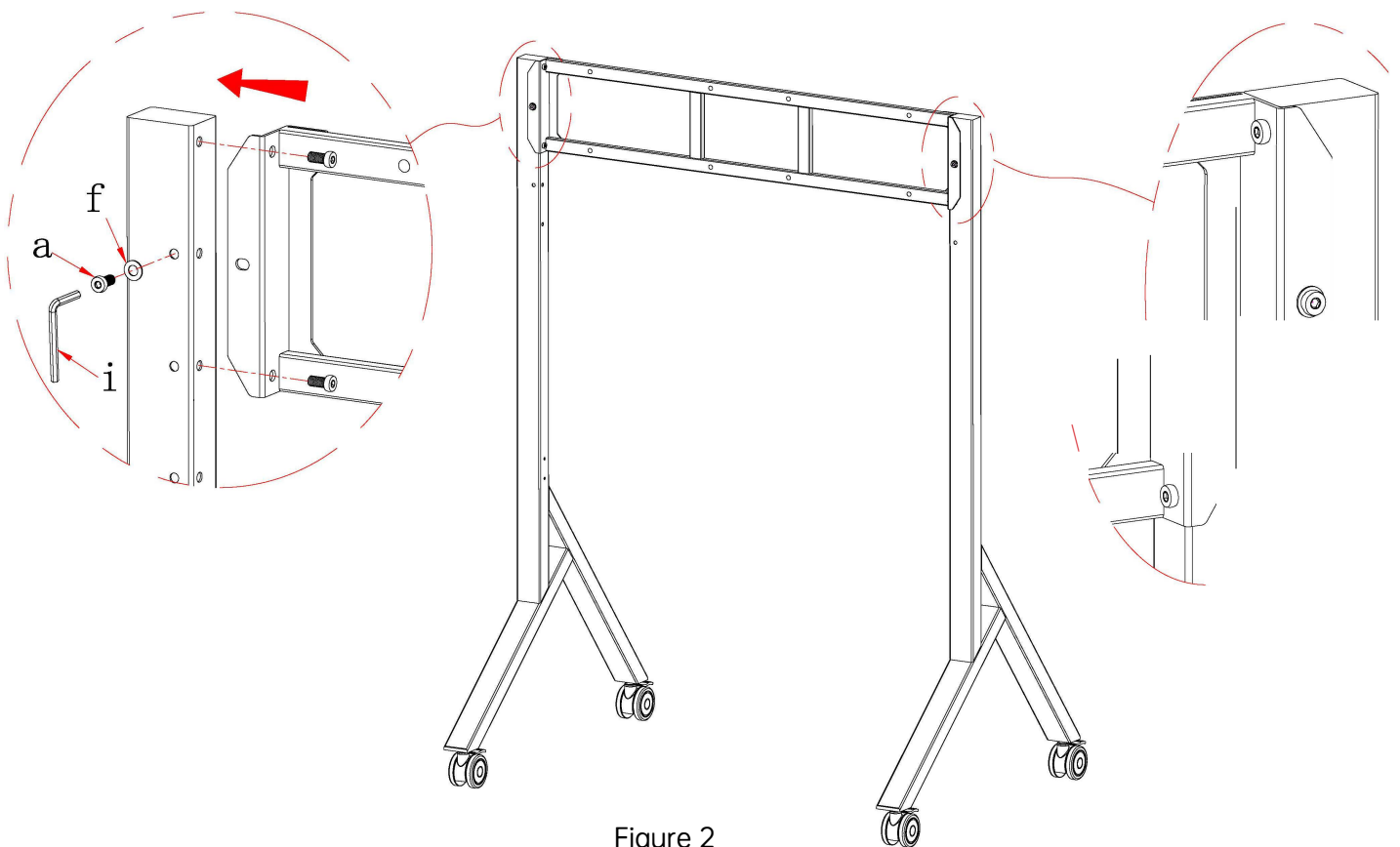
● Assembly accessories:

			
a-M8*16 Flat screw 6pcs	b-M6*12 Flat screw 4pcs	c-M6*20 Round head screw 2pcs	d-M6*25 Round head screw 4pcs
			
e-M8*25 Round head screw 4pcs	f-16*8.5*1.0 washer 2pcs	g-24*12.5*1.5 washer 4pcs	h-20*12.5*3.5 Spring washer 4pcs
			
i-Allen Key 5mmX64	j-Allen Key 4mmX56	Philips screwdriver (not provided)	

Step 1: Engage locking mechanisms. Place spring washer (h) then washer (g) over the threads then screw the 4 wheels into the left and right columns (Figure 1).



Step 2: Fix the connection frame to the left and right columns then use the Allen key (i) to tighten the 6 screws (A). Note that 2 washers (F) should be added to the two hex screws behind the connection frame (as shown in Figure 2).



Step 3: Place the tray between the left and right columns with the connection frame installed, align the screws, and use the Allen key (J) to lock the 4 screws (B) (as shown in the figure 3)

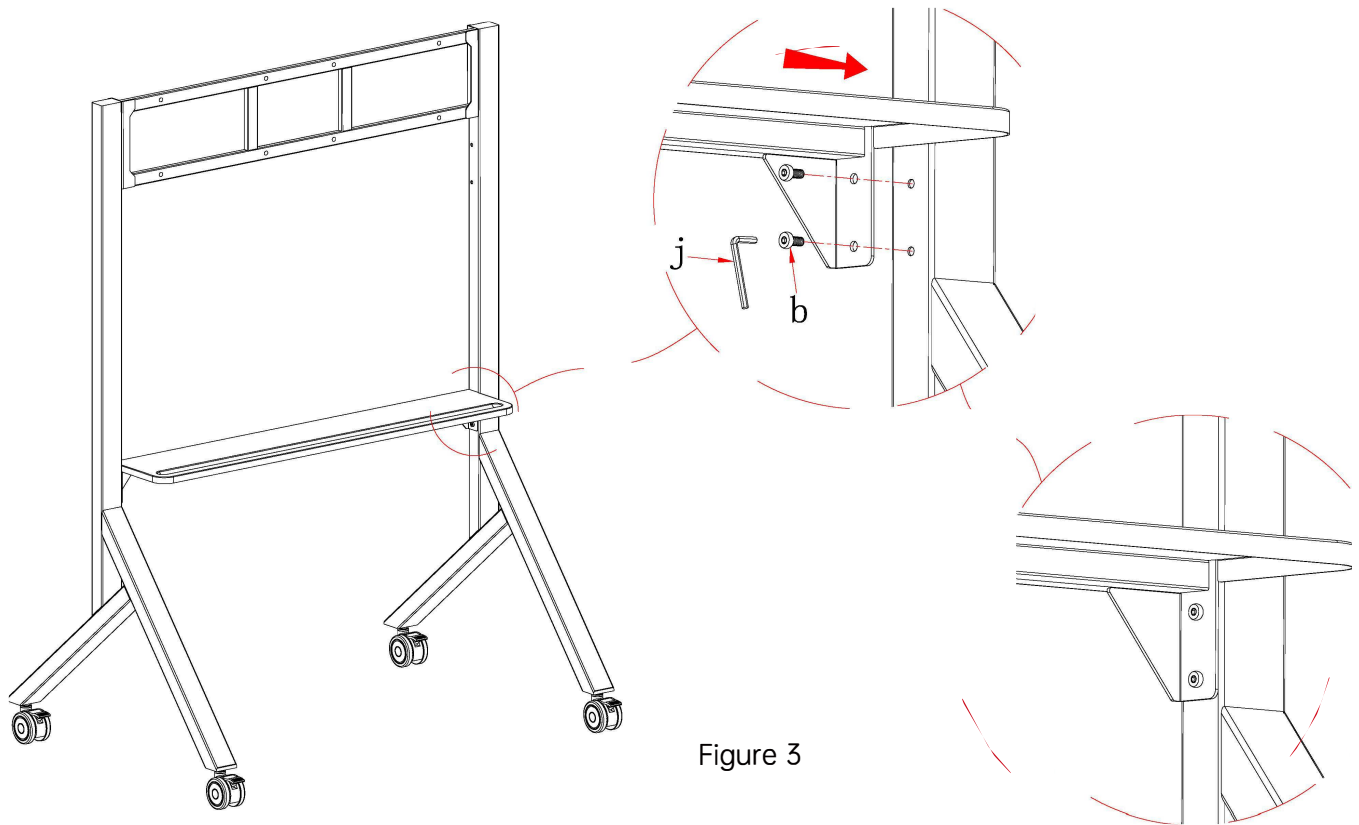


Figure 3

Step 4: Lay the board flat, select the screws compatible with the board's VESA mounts, and connect the VESA bars to the board (see figure 4).

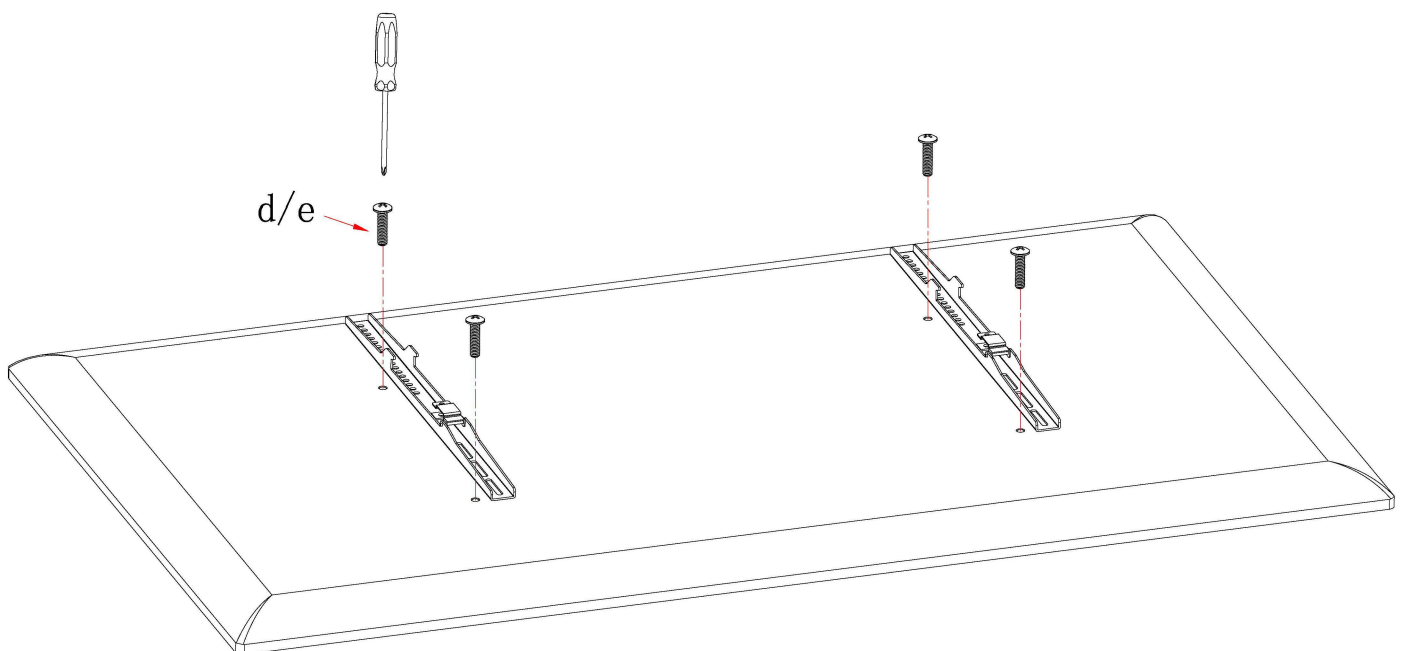


Figure 4

Step 5: Hang the board with the VESA bars on the frame, ensure the hooks are securely slotted into the connection frame, clamp the safety bracket to the connection frame, then use 2 screws (C) to secure it the bracket in place.(Figure 5).

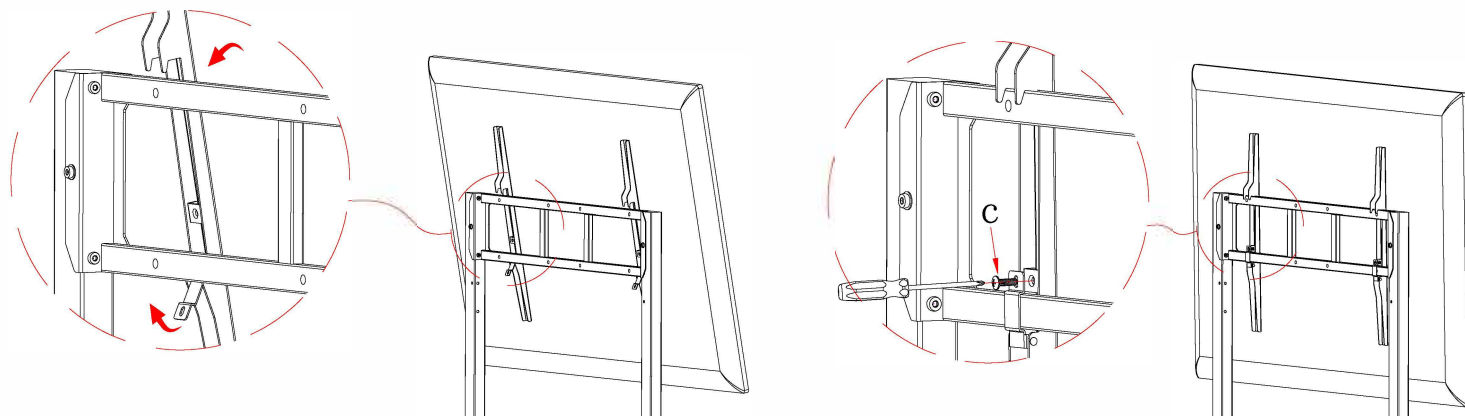


Figure 5

Step 6: All done! Here is what your BenQ TTY22 should look like after assembly.

